

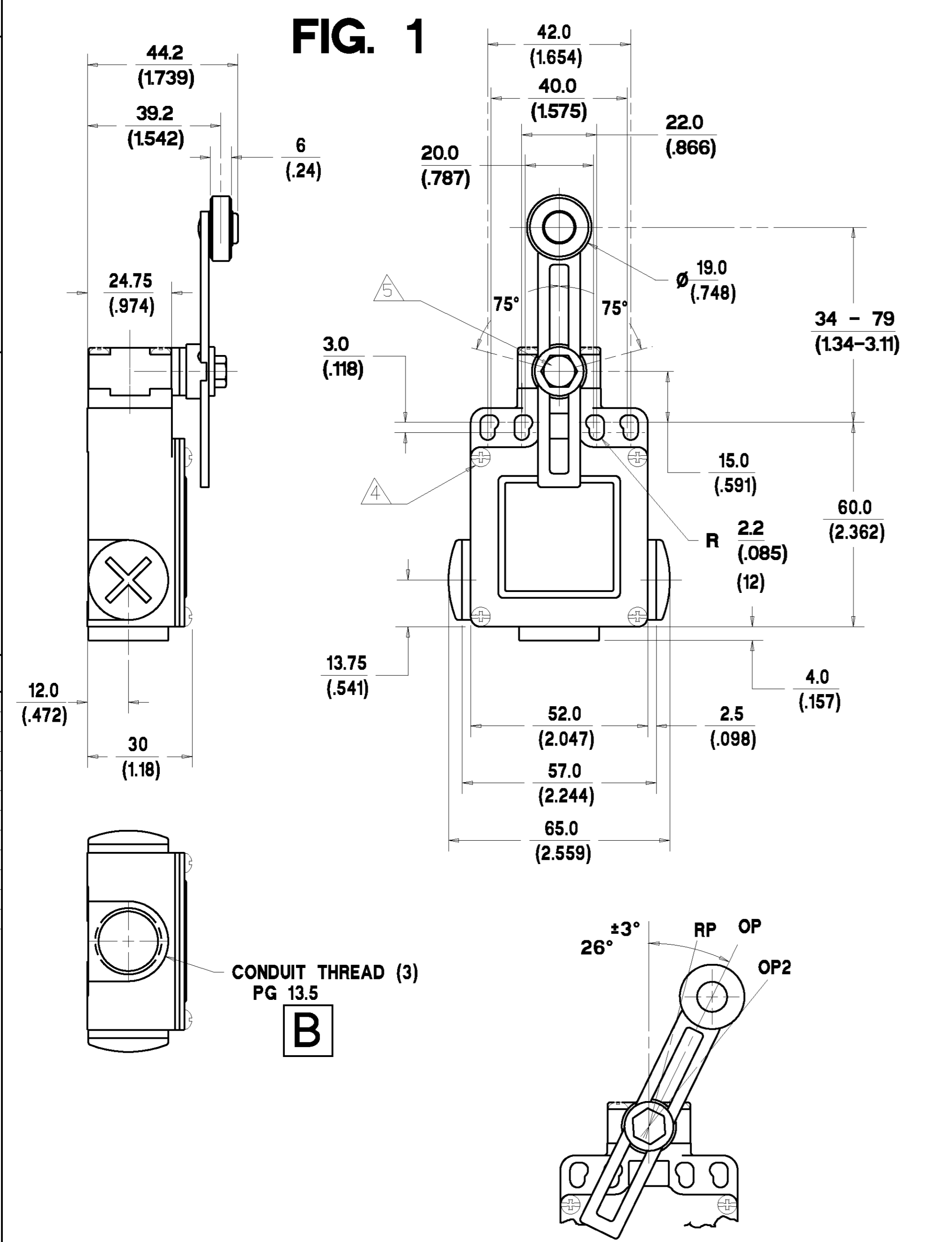
**MTG-GL-193**

REPLACES  
DRAWING NUMBER  
AO18-185

ISSUE  
6

REVISIONS  
2 9/96  
AO18-276  
3 12/96  
AO18-293  
4 7/97  
CO-000085  
5 8/97  
CO-000106  
6 CO/395  
IW 6/98

Honeywell  
**LIMIT SWITCH**  
CATALOGUE LISTING  
**GLS**  
CHART NO.  
**MTG-GL-193**



**NOTES:-**

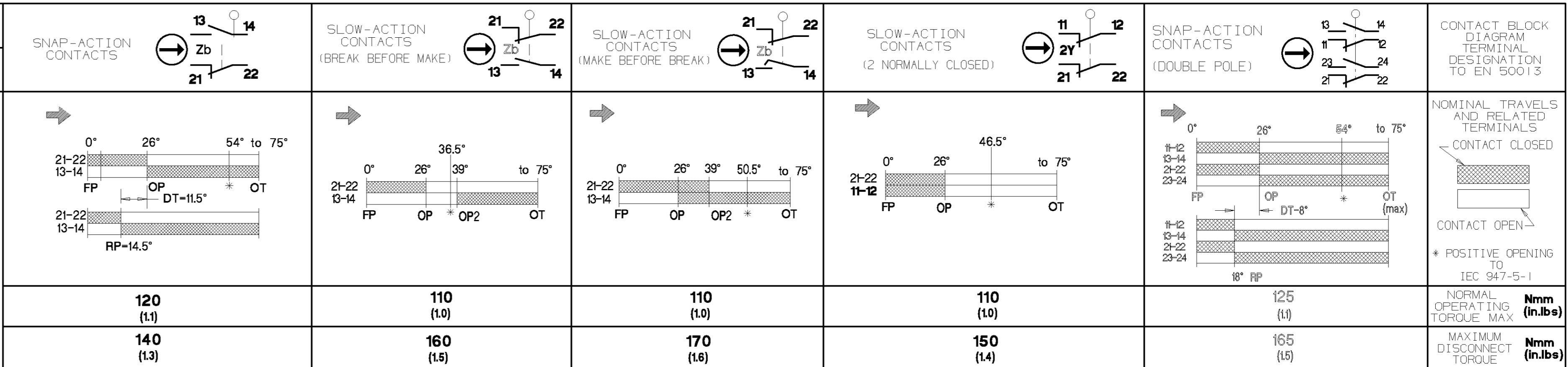
- ZINC DIECAST BODY AND HEAD WITH STEEL COVER. BODY AND COVER FINISHED IN MICRO SWITCH BLUE EPOXY PAINT. HEAD FINISHED IN BLACK EPOXY PAINT.
- MINIMUM OPERATING VELOCITY ( $V_{min}$ ) = 0.26 rad/s  
MAXIMUM OPERATING VELOCITY ( $V_{max}$ ) = 25 rad/s  
MAXIMUM OPERATING FREQUENCY ( $F_{max}$ ) = 250 OPS/MIN
- FREE POSITION (FP), OPERATING POINT (OP), OVERTRAVEL (OT) AND PRETRAVEL (PT) ALL TO EN50047.

⚠ MAXIMUM TIGHTENING TORQUE FOR FIXING SCREW = 0.5Nm (4.4in.LB)  
⚠ MAXIMUM TIGHTENING TORQUE FOR FIXING SCREW = 0.8Nm (7in.LB)

NO CHANGES CAN BE MADE TO THIS DRAWING WITHOUT JOINT NEWHOUSE/FREEPORT APPROVAL

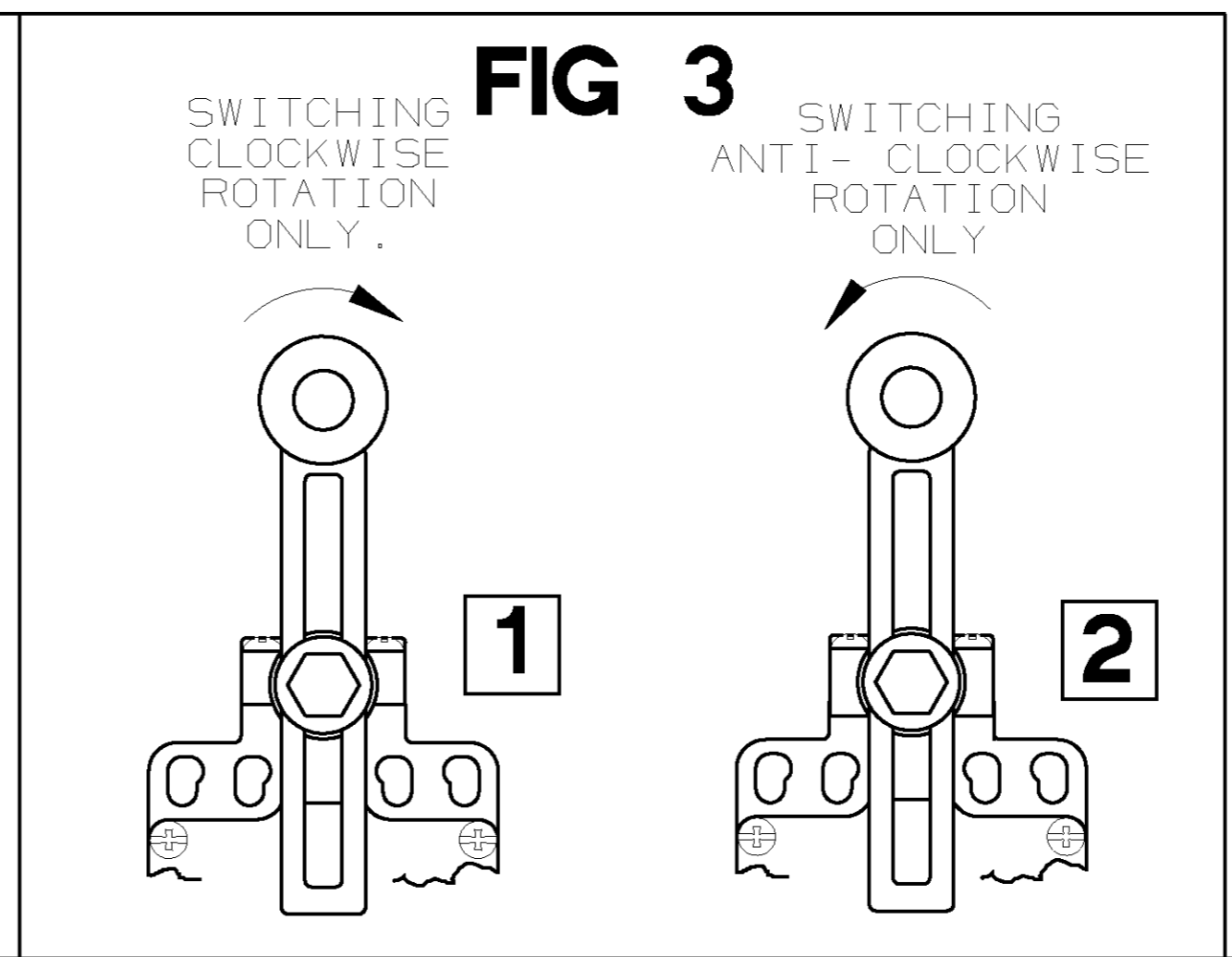
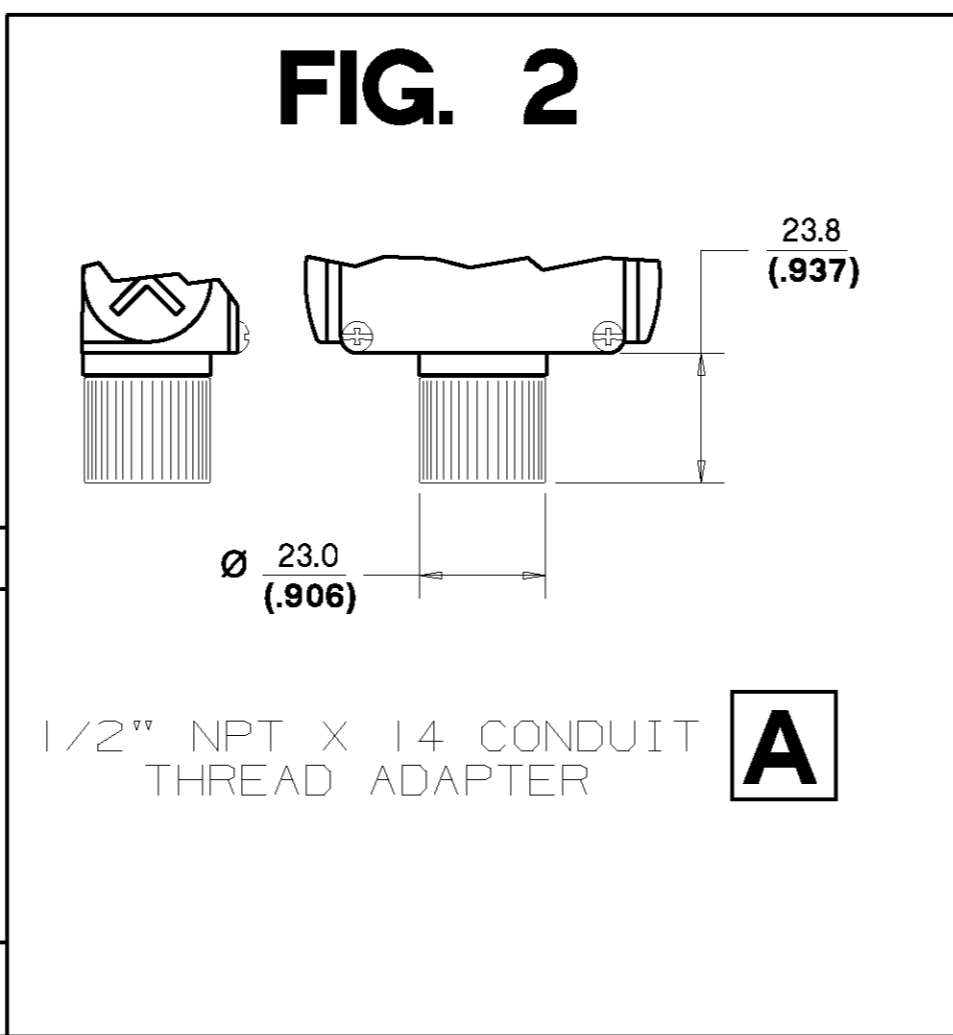
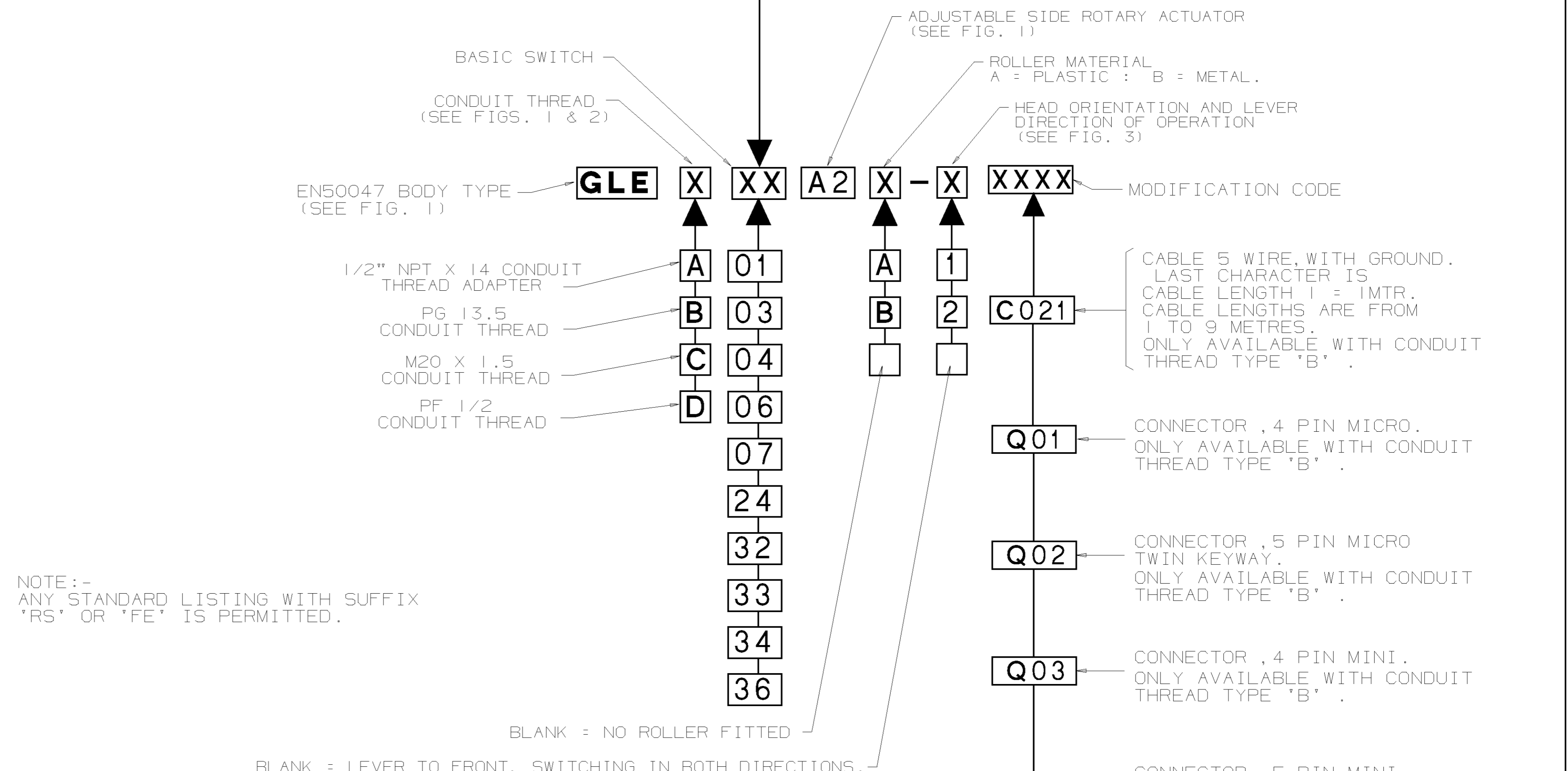
STANDARD SILVER CONTACTS		GOLD PLATED CONTACTS	
ELECTRICAL RATING		ELECTRICAL RATING	
AC	DC	ENVIRONMENTAL	
A300 AC15 Ue 1e	O300 DC13 Ue 1e	IP66	NEMA 1, 4, 12, 13
VOLTS AMPS 120 6 240 3	VOLTS AMPS 125 0.55 250 0.27	TEMP RANGE : -25°C TO 85°C -13°F TO 185°F	APPROVALS  
I <sub>th</sub> = 10A		STORAGE : -40°C TO 85°C -40°F TO 185°F	
IV 10μA MIN. 50V 100mA MAX.		SHOCK : 50G PER IEC 68-2-27	IEC 947-5-1
		VIBRATION : 10G PER IEC 68-2-6	EN50047

SCALE 1:1  
DIMENSIONS ARE IN MM/INCHES.  
MODIFY ON CAD SYSTEM ONLY



120 (1.1)	110 (1.0)	110 (1.0)	110 (1.0)	125 (1.1)
140 (1.3)	160 (1.5)	170 (1.6)	150 (1.4)	165 (1.5)

NORMAL OPERATING TORQUE MAX **Nmm (in.lbs)**  
MAXIMUM DISCONNECT TORQUE **Nmm (in.lbs)**



**NOTE:-** CABLE AND CONNECTOR WILL BE FITTED TO BOTTOM EXIT CONDUIT ONLY. OTHER OPTIONS CUSTOMER SPECIAL 'N' LISTING.